

WP4-6 6Volt 4Ah

Specifications

Nominal Voltage(V) **6V**

Nominal Capacity

20 hour rate	(0.2A	to	5.25V)	4Ah
10 hour rate	(0.38A	to	5.25V)	3.8Ah
5 hour rate	(0.68A	to	5.1V)	3.4Ah
1 C	(4A	to	4.8V)	2.267Ah
3 C	(12A	to	4.8V)	1.6Ah

Weight **Approx. 850g(1.87Lbs.)**

Internal Resistance (at 1KHz) **Approx. 20 mΩ**

Maximum Discharge Current for
5 seconds: **80A**

Charging Methods at 25°C (77°F)

Cycle use:	
Charging Voltage	7.20 to 7.50V
Coefficient	-5.0mV/°C/cell
Maximum Charging Current :	1.2A
Standby use:	
Float Charging Voltage	6.75 to 6.90V
Coefficient	-3.0mV/°C/cell

Operating Temperature Range

Charge	-15°C (5°F)	to	40°C (104°F)
Discharge	-15°C (5°F)	to	50°C (122°F)
Storage	-15°C (5°F)	to	40°C (104°F)

Charge Retention (shelf life) at 20°C (68°F)

1 month	98%
3 month	94%
6 month	85%

Case Material **ABS**

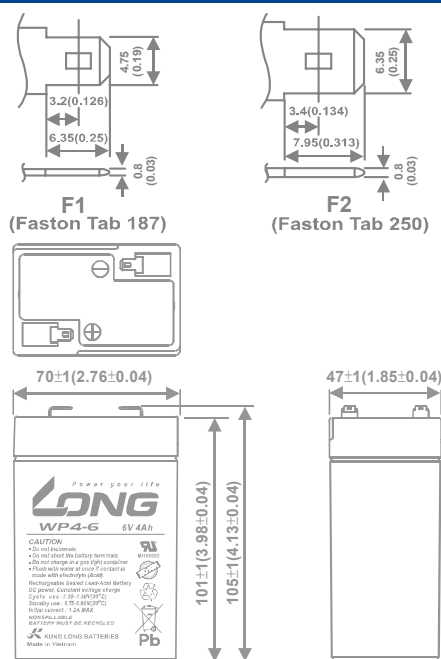
(Option: UL94 HB & UL94 V-0 flame retardant)

Terminal **F1 or F2 (Faston Tab 187 or 250)**

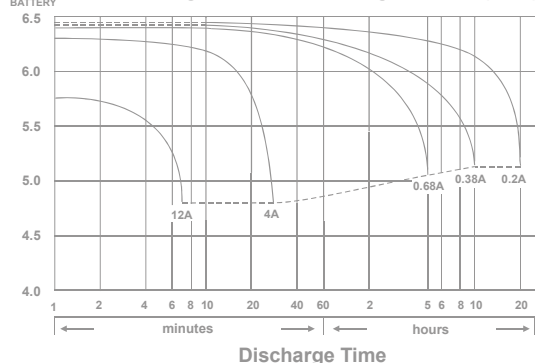


Dimensions

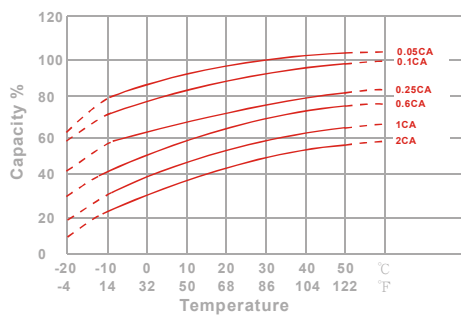
mm(inch)



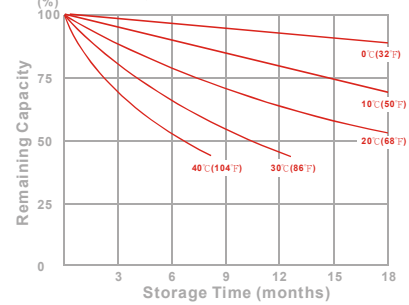
(V) FOR 6V BATTERY Discharge Time VS. Discharge Current (25°C)



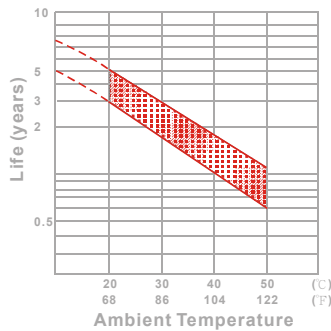
Effect of Temperature on Capacity 25°C(77°F)



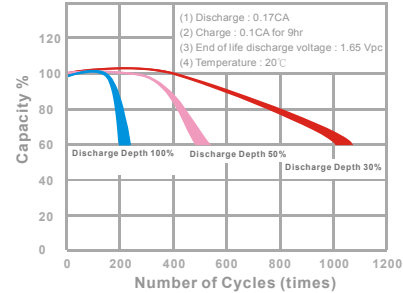
Capacity Retention Characteristic



Trickle (or float) Service Life



Cycle Service Life



- PERFORMANCE DATA

Discharge Rates in Watts to Various End Voltages at 25°C(77°F)

End Voltage		5.55V	5.4V	5.25V	5.1V	4.95V	4.8V
Time							
5	min	82.3	96.1	105	111	114	115
10	min	44.5	51.9	57.0	59.9	61.4	62.1
15	min	36.1	41.4	45.0	46.9	48.0	48.6
30	min	19.2	22.0	23.9	25.0	25.5	25.8
60	min	13.7	14.3	14.7	15.0	15.3	15.3
120	min	7.22	7.56	7.73	7.90	8.08	8.08
180	min	5.75	6.03	6.16	6.30	6.44	6.44
240	min	4.62	4.84	4.95	5.06	5.17	5.17
300	min	3.93	4.11	4.21	4.30	4.39	4.39
600	min	2.32	2.43	2.49	2.54	2.60	2.60
1200	min	1.22	1.28	1.30	1.33	1.36	1.40

- Discharge Rates in Amperes to Various End Voltages at 25°C(77°F)

End Voltage		5.55V	5.4V	5.25V	5.1V	4.95V	4.8V
Time							
5	min	14.7	17.2	18.8	19.8	20.3	20.5
10	min	7.74	9.03	9.91	10.4	10.7	10.8
15	min	6.14	7.04	7.65	7.99	8.18	8.27
30	min	3.22	3.70	4.02	4.19	4.29	4.34
60	min	2.29	2.40	2.45	2.51	2.56	2.56
120	min	1.20	1.26	1.29	1.32	1.35	1.35
180	min	0.95	1.00	1.02	1.05	1.07	1.07
240	min	0.76	0.80	0.82	0.84	0.85	0.85
300	min	0.65	0.68	0.70	0.71	0.73	0.73
600	min	0.38	0.40	0.41	0.42	0.43	0.43
1200	min	0.20	0.21	0.21	0.22	0.22	0.23

All data on the spec. sheet is an average value:

The tolerance range : $X < 6\text{min}$ (+15%~-15%), $6\text{min} \leq X < 10\text{min}$ (+12%~-12%), $10\text{min} \leq X < 60\text{min}$ (+8%~-8%), $X \geq 60\text{min}$ (+5%~-5%)

021211-1B