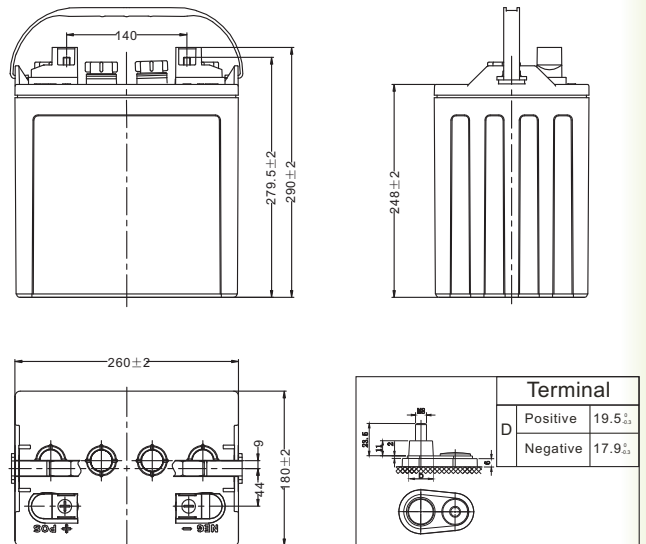


Physical Specification

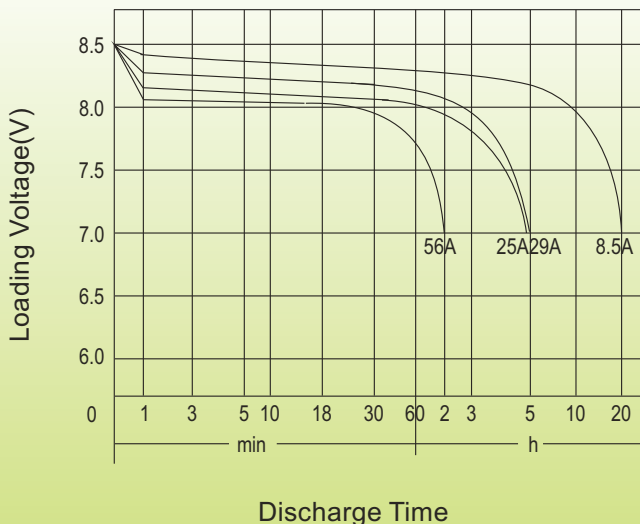
Nominal Voltage	8V
Nominal Capacity(20HR)	170Ah
Nominal Capacity(5HR)	145Ah
Length	260±2mm(10.24inches)
Width	180±2mm(7.09inches)
Container Height	248±2mm(9.76inches)
Total Height	279.5±2mm(11.00inches)
Dry Weight	Approx 21.5Kg(47.4lbs)
Wet Weight	Approx 29.2Kg(64.4lbs)
Acid	1.280±0.015g/cm ³ (25℃)
Standard Terminal	DT-M8(A)
Container Material	PP



Electrical Specification

Rated Capacity	20 hour rate(8.5A)	170Ah
	5 hour rate(29A)	145Ah
Reserve Capacity	25Amps	295min
	56Amps	117min

Discharge Characteristics(25℃, 77°F)



Charge Method

Initial Charge:

- ① 0.1C₂₀ (A) charging 15h
- ② 0.05C₂₀ (A) charging 10h

The temperature of the battery should be below 50℃ during charging.

Supplement Charge:

a) Charging at a constant voltage of 9.8~10V/cell and a limited current 0.25C₂₀ (A) until the electrolyte density up to 1.280g/cm³ (30℃) and the current not change for 3 hours.

b) Charge with constant current 0.1C₂₀ (A) until the voltage between 10.4~11.2V/cell, and voltage maintains for 3 hours and not change.

Two method optional