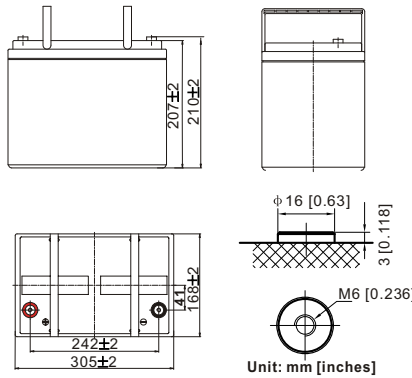




# UPS ULTRA HIGH RATE

## XP12-350(12V95AH)



### Application

- ◆ UPS (High rate)
- ◆ High power backup supply
- ◆ Emergency power supply
- ◆ Emergency lighting
- ◆ Electric starting

### Specification

<b>Battery Type</b>	Valve-Regulated, Absorbed Glass Mat (AGM) Technology		<b>Self Discharge</b>	≤3% of capacity declined per month at 20°C	
	<b>Capacity</b>	370.3Watts/cell 15min rate(1.67V/cell) 95.0AH 20HR(1.80V/cell)		<b>Current</b>	Max. Discharge Current(5s) 1425A Initial Charging Current Less than 28.5A
<b>Dimensions</b>	Length	305mm(12.0inches)	<b>Operating Temp. Range</b>	Discharge	-15~50 °C(5~122 °F)
	Width	168mm(6.61inches)		Charging	0~40 °C(32~104 °F)
	Height	207mm(8.15inches)		Storage	-15~40 °C(5~104 °F)
	Total height	210mm(8.27inches)	<b>Internal Resistance</b>	Approx 4.0mΩ (25 °C )	
<b>Approx Weight</b>	Approx 27.4 kg (60.4lbs)		<b>Container Material</b>	ABS	
			<b>Terminal</b>	T6	

### Constant Power Discharge (Watts/Cell) at 25 °C (77°F)

F.V/Time	5min	10min	15min	20min	30min	45min	1h	2h	3h	4h	5h	6h	8h	10h	20h
1.85V/cell	408.1	334.7	286.3	243.4	188.8	139.6	113.2	67.8	49.2	38.8	32.2	27.7	21.8	18.2	9.58
1.80V/cell	452.1	369.2	308.6	260.6	198.3	145.4	117.7	69.9	50.4	39.8	33.1	28.3	22.3	18.6	9.76
1.75V/cell	499.6	401.3	330.8	276.0	206.7	150.7	121.6	71.1	51.3	40.3	33.5	28.9	22.7	18.8	9.93
1.70V/cell	547.6	430.4	348.0	290.7	214.9	155.8	124.3	72.1	52.0	41.1	34.1	29.2	23.0	19.1	10.0
1.67V/cell	600.7	457.2	370.3	304.6	223.9	160.4	127.2	73.1	52.7	41.6	34.4	29.6	23.3	19.3	10.2
1.60V/cell	644.5	482.0	385.7	315.2	229.1	164.4	130.2	74.5	53.2	42.0	34.9	29.9	23.6	19.4	10.3

### Constant Current Discharge (Amperes) at 25 °C (77°F)

F.V/Time	5min	10min	15min	20min	30min	45min	1h	2h	3h	4h	5h	6h	8h	10h	20h
1.85V/cell	209.8	171.1	145.5	123.1	95.0	69.9	56.5	33.7	24.4	19.1	15.8	13.6	10.7	8.84	4.63
1.80V/cell	234.8	190.7	158.5	133.1	100.7	73.4	59.2	35.0	25.1	19.8	16.3	14.0	10.9	9.07	4.75
1.75V/cell	262.2	209.2	171.4	142.2	105.8	76.7	61.6	35.8	25.7	20.1	16.7	14.3	11.2	9.25	4.86
1.70V/cell	290.7	226.9	182.4	151.3	111.2	80.1	63.5	36.6	26.2	20.6	17.1	14.6	11.4	9.43	4.94
1.67V/cell	321.5	242.8	195.3	159.6	116.5	82.8	65.3	37.3	26.7	21.0	17.3	14.9	11.6	9.59	5.03
1.60V/cell	348.8	258.8	205.6	166.7	120.4	85.8	67.5	38.3	27.2	21.4	17.7	15.2	11.9	9.76	5.16